

# ROUGH-TERRAIN CRANE RT60



**ZOOMLION**

Zoomlion Heavy Industry Science & Technology Co.,Ltd.

Add:Zoomlion Overseas Building, No.613, 3rd Section, Furong Middle Road, Yuhua District, Changsha, Hunan, P.R.China 410205

Copyright © 2015 Zoomlion. All rights reserved. Reproduction and copying of any part of the Contents is not allowed for any purposes without Zoomlion's written approval.  
Note: No product coating appearance shall be subject to sample.



Printed in China VN-EN-MC-201509-01

**ZOOMLION**

en.zoomlion.com

# Features

## Maneuverable and robust drive

1. Four-wheel drive and four-wheel steer chassis
2. Fully hydraulic steering system
3. Variable steering modes, front-wheel steer, four-wheel steer and crab steer; short vehicle length and small turning radius provide the crane with maximum maneuverability and flexibility in narrow job sites.

## Excellent off-road capability

Big ground clearance and departure / approach angle offer excellent off-road capability.

## Strong gradeability

1. Cummins electronically-controlled engine, automated transmission and steerable drive axles provide reliable power output
2. Even in the condition of abrupt road resistance, the engine can also be functional
3. Four-wheel drive, hydraulic suspension and special tires optimize the vehicle's drive performance to its maximum, suitable for any bad roads and job sites.

## Pick-and-carry operations

1. The rough terrain crane has the ability to pick and carry loads, thus improves the working efficiency greatly
2. The crane can also carry out "On tires" Lifts without extending the outrigger beams in narrow job sites
3. Superior pick-and-carry ability during short-distance transit can bring great convenience to the users.

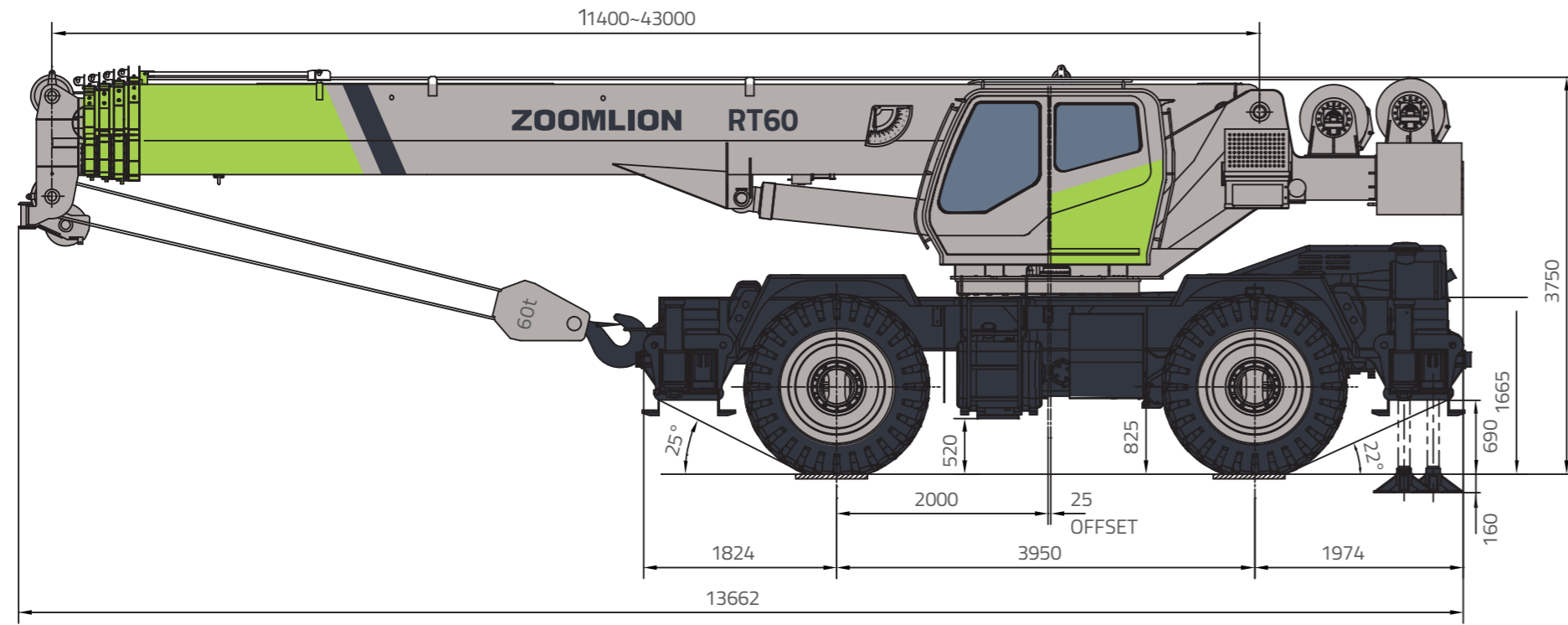
## Single cab design

1. Single cab design with large skylight provides large field of view
2. Air-cushioned seat suits to all types of figures, which can release the driver's or operator's fatigue, thus improves the working efficiency
3. The crane is fitted with air conditioning, suitable for all-weather work
4. Digital display and keyboard units, advanced data bus technology, error check and audible & acoustic alarm ensure the safety and high efficiency of the operation.

# Technical Data

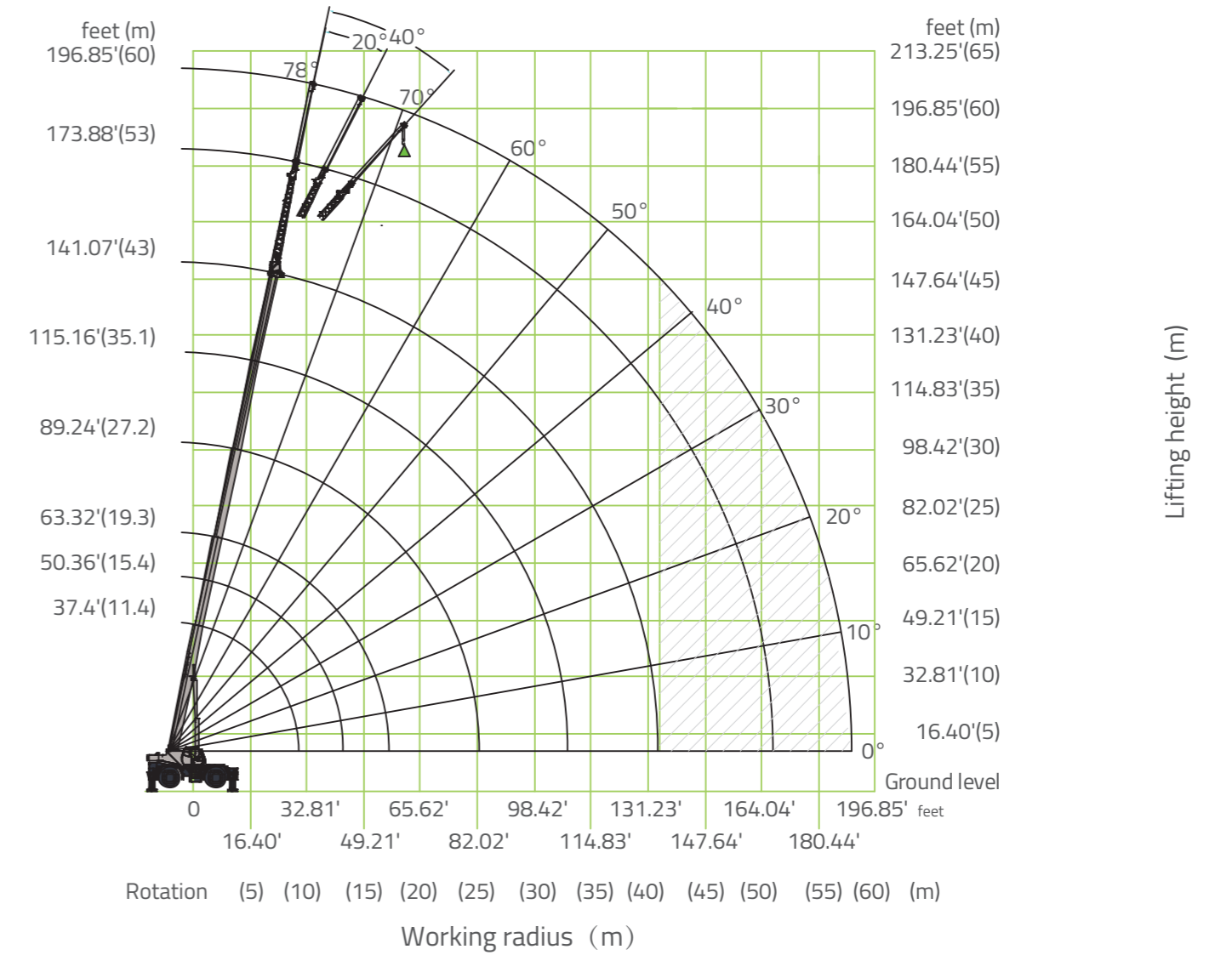
	Item	Unit	Value
Working performance	Max. rated lifting capacity × working radius	kg.m	6000×2.8
	Max. load moment of basic jib	kN.m	1991
	Max. load moment of max. length main boom	kN.m	1166
	Max. lifting height of max. length main boom	m	45.4
	Max. lifting height of jib	m	62.2
Dimensions	Overall dimensions (L × W ×H)	mm	13662×3300×3750
	Distance between outriggers (Longitudinal × transversal)	mm	6900×6900
	Main boom length (Completely retracted - completely extended)	mm	11400~43000
	Jib length(Jib section 1 - jib section 1 + jib section 2)	mm	10000~17000
	Boom angle	°	-3~78
	Swing range		360° unlimited swing(Full range)
Working speeds	Max. hoist rope speed (Main winch)	m/min	150
	Min. boom telescoping out time	s	140
	Min. boom telescoping in time	s	120
	Min.boom derricking up time	s	60
	Min.boom derricking down time	s	65
	Swing speed	r/min	0~2
Hydraulic system	Rated working pressure	MPa	28
	Rated working flow	L/min	400
	Hydraulic oil tank capacity	L	730
Mass	Complete vehicle kerb mass	kg	44260
	Front axle load	kg	25220
	Rear axle load	kg	19040
	Max. driving speed (Forwards / backwards)	km/h	39
Driving	Wheelbase	mm	3950
	Treads(Front / Rear)	mm	2605
	Max. gradeability	%	75

### Overall View(Unit: Metric mm)



(Unit: Metric mm)

### Lifting Height Chart



## Main Boom Rated Loads

Use this chart only when all outriggers are fully extended

Table 1

Rated loads on outriggers fully extended-360° (Rated load unit: kg)												
BOOM LENGTH (MM)	11400		15350		19300		27200		35100		43000	
LOAD RADIUS (MM)	BOOM ANGLE (°)	360° (KG)	BOOM ANGLE (°)	360° (KG)	BOOM ANGLE (°)	360° (KG)	BOOM ANGLE (°)	360° (KG)	BOOM ANGLE (°)	360° (KG)	BOOM ANGLE (°)	360° (KG)
2800	70.1	60000										
3000	68.5	55000	74.3	45000	77.6	35000						
3500	65.7	51150	72.3	45000	76.1	35000						
4000	62.8	47150	70.3	42690	74.5	35000						
4500	59.8	42800	68.3	39890	73.0	32950						
5000	56.7	39100	66.2	37440	71.4	30950	76.9	20590				
5500	53.4	35900	64.1	35240	69.8	29150	75.9	20590				
6000	50.0	33080	61.9	32690	68.1	27550	74.8	20590				
6500	46.4	30650	59.7	30240	66.5	26100	73.7	19640	77.4	13590		
7000	42.5	28460	57.5	28040	64.8	24800	72.5	18790	76.6	13590		
7500	38.2	26560	55.1	26150	63.2	23600	71.4	18040	75.7	13590		
8000	33.4	24000	52.7	23340	61.4	22500	70.3	17340	74.9	13590	77.7	9190
9000	20.2	18960	47.6	18390	57.9	17960	68.0	16040	73.2	12840	76.4	9190
9433	0	16160										
10000			42.0	14950	54.2	14510	65.7	14890	71.5	12090	75.0	8690
11000			35.6	12360	50.3	11950	63.3	13040	69.7	11490	73.6	8190
12000			27.7	10370	46.2	10000	60.9	11050	67.9	10840	72.2	7740
13375			0	8280								
14000					36.7	7200	55.8	8200	64.3	8630	69.3	7040
16000					23.9	5280	50.4	6260	60.6	6680	66.4	6390
17320					0	4300						
18000							44.6	4850	56.7	5270	63.5	5490
20000							37.9	3780	52.6	4200	60.4	4430
22000							30.0	2940	48.3	3360	57.3	3590
24000							19.0	2260	43.7	2690	54.0	2910
26000									38.5	2130	50.6	2360
28000									32.7	1670	46.9	1900
30000									25.7	1280	43.1	1510
32000									15.9	940	38.9	1170

Table 2

Rated loads on outriggers fully extended-360° (Rated load unit:lb)												
BOOM LENGTH (ft)	37.4ft		50.4ft		63.3ft		89.2ft		115.2ft		141ft	
LOAD RADIUS (ft)	BOOM ANGLE (°)	360° (KG)	BOOM ANGLE (°)	360° (KG)	BOOM ANGLE (°)	360° (KG)	BOOM ANGLE (°)	360° (KG)	BOOM ANGLE (°)	360° (KG)	BOOM ANGLE (°)	360° (KG)
9	70.2	132280										
10	68.2	121000	74.1	99200	77.5	77160						
12	64.8	109780	71.7	98550	75.6	77160						
15	59.3	92950	68.0	86890	72.7	71830	77.9	45390				
20	49.3	71740	61.5	70830	67.8	59950	74.5	44870				
25	37.1	57400	54.5	56530	62.7	51260	71.2	39260	75.5	29960		
30	17.3	45510	46.8	44130	57.4	43070	67.7	34860	72.9	28040	76.2	20120
30.95	0	35600										
35			37.8	32540	51.6	31520	64.1	31340	70.3	25730	74.0	18360
40			25.9	24890	45.3	23990	60.4	26550	67.6	23530	71.9	16930
43.88			0	20560								
45					38.2	18680	56.6	21160	64.8	21660	69.7	15610
50					29.4	14740	52.5	17160	62.0	18210	67.5	14510
55					16.4	11680	48.3	14080	59.1	15130	65.3	13630
56.82					0	10730						
60							43.7	11630	56.1	12670	63.0	12750
65							38.6	9630	53.0	10680	60.7	11220
70							32.8	7970	49.8	9020	58.3	9570
75							25.9	6570	46.4	7630	55.9	8170
80							16.0	5380	42.7	6440	53.3	6990
85									38.8	5410	50.7	5960
90									34.5	4510	48.0	5070
95									29.6	3720	45.1	4280
100									23.8	3030	42.1	3590
105									15.6	2410	38.9	2970
110											35.5	2410

## M Jib Rated Loads

Use this chart only when all outriggers are fully extended

Table 3

BOOM ANGLE (°)	Rated loads on outriggers fully extended-360° (Rated load unit:kg)					
	0° OFFSET		20° OFFSET		40° OFFSET	
	LOAD RADIUS (MM)	360° (KG)	LOAD RADIUS (MM)	360° (KG)	LOAD RADIUS (MM)	360° (KG)
78	9020	5140	11887	2840	14186	2090
76	10823	4740	13648	2740	15873	2040
74	12610	4390	15389	2640	17538	1990
72	14379	4090	17110	2540	19179	1940
70	16128	3840	18807	2440	20795	1890
68	17856	3640	20478	2340	22382	1840
66	19559	3440	22123	2290	23940	1840
64	21235	3240	23738	2240	25467	1790
62	22884	3090	25321	2140	26960	1790
60	24502	2940	26871	2090	28418	1740
58	26088	2540	28386	2040	29838	1740
56	27640	2190	29864	1990	31220	1740
54	29155	1890	31304	1740	32561	1650
52	30633	1630	32702	1510	33861	1440
50	32071	1400	34059	1310	35116	1250
48	33467	1200	35371	1130	36327	1080
46	34820	1030	36638	970	37490	930
44	36128	870	37858	820	38606	790

Table 4

Rated loads on outriggers fully extended-360° (Rated load unit:lb)					
0° OFFSET		20° OFFSET		40° OFFSET	
LOAD RADIUS (ft)	360° (lb)	LOAD RADIUS (ft)	360° (lb)	LOAD RADIUS (ft)	360° (lb)
29.59	11330	39.00	6260	46.54	4600
35.51	10440	44.78	6040	52.08	4490
41.37	9670	50.49	5820	57.54	4380
47.18	9010	56.14	5590	62.92	4270
52.91	8460	61.70	5370	68.23	4160
58.58	8020	67.19	5150	73.43	4050
64.17	7580	72.58	5040	78.54	4050
69.67	7140	77.88	4930	83.55	3940
75.08	6810	83.07	4710	88.45	3940
80.39	6480	88.16	4600	93.23	3830
85.59	5590	93.13	4490	97.89	3830
90.68	4820	97.98	4380	102.43	3830
95.65	4160	102.70	3830	106.83	3630
100.50	3590	107.29	3320	111.09	3170
105.22	3080	111.74	2880	115.21	2750
109.80	2640	116.05	2490	119.18	2380
114.24	2270	120.20	2130	123.00	2050
118.53	1910	124.21	1800	126.66	1740

## M Jib Rated Loads

Use this chart only when all outriggers are full extended

Table 5

BOOM ANGLE (°)	Rated loads on outriggers fully extended-360° (Rated load unit:kg)					
	0° OFFSET		20° OFFSET		40° OFFSET	
	LOAD RADIUS (MM)	360° (KG)	LOAD RADIUS (MM)	360° (KG)	LOAD RADIUS (MM)	360° (KG)
78	10475	2640	15596	1390	19700	1040
76	12516	2390	17561	1340	21534	990
74	14539	2240	19503	1290	23339	990
72	16541	2090	21418	1240	25114	940
70	18522	1940	23305	1190	26855	940
68	20477	1840	25161	1190	28561	940
66	22405	1740	26984	1140	30230	890
64	24303	1640	28771	1090	31860	890
62	26169	1540	30521	1090	33448	890
60	28001	1490	32232	1040	34993	890
58	29796	1390	33901	1040	36493	890
56	31553	1340	35526	990	37947	840
54	33268	1290	37105	990	39351	840
52	34941	1240	38637	940	40706	840
50	36569	1180	40119	940	42008	840
48	38149	1010	41550	910	43256	840
46	39681	860	42927	780	44450	730
44	41162	720	44250	660	45587	620

Table 6

Rated loads on outriggers fully extended-360° (Rated load unit:lb)					
0° OFFSET		20° OFFSET		40° OFFSET	
LOAD RADIUS (ft)	360° (lb)	LOAD RADIUS (ft)	360° (lb)	LOAD RADIUS (ft)	360° (lb)
34.37	5820	51.17	3060	64.63	2290
41.06	5260	57.61	2950	70.65	2180
47.70	4930	63.99	2840	76.57	2180
54.27	4600	70.27	2730	82.40	2070
60.77	4270	76.46	2620	88.11	2070
67.18	4050	82.55	2620	93.70	2070
73.51	3830	88.53	2510	99.18	1960
79.73	3610	94.39	2400	104.53	1960
85.86	3390	100.13	2400	109.74	1960
91.87	3280	105.75	2290	114.81	1960
97.76	3060	111.22	2290	119.73	1960
103.52	2950	116.56	2180	124.50	1850
109.15	2840	121.74	2180	129.10	1850
114.64	2730	126.76	2070	133.55	1850
119.98	2600	131.62	2070	137.82	1850
125.16	2220	136.32	2000	141.92	1850
130.19	1890	140.84	1710	145.83	1600
135.05	1580	145.18	1450	149.56	1360

## Main Boom Rated Loads

Use this chart when ourrigrs are pinned in the MID-POST IN

Table 7

Rated loads on outriggers pinned in mid -position-360° (Rated load unit:kg)												
BOOM LENGTH (MM)	11400		15350		19300		27200		35100		43000	
LOAD RADIUS (MM)	BOOM ANGLE (°)	360° (KG)	BOOM ANGLE (°)	360° (KG)	BOOM ANGLE (°)	360° (KG)	BOOM ANGLE (°)	360° (KG)	BOOM ANGLE (°)	360° (KG)	BOOM ANGLE (°)	360° (KG)
3000	68.5	51050	74.3	45000	77.6	35000						
3500	65.7	45350	72.3	44940	76.1	35000						
4000	62.8	40650	70.3	40190	74.5	35000						
4500	59.8	36700	68.3	36240	73.0	32950						
5000	56.7	33350	66.2	32890	71.4	30950	76.9	20590				
5500	53.4	28370	64.1	27620	69.8	27030	75.9	20590				
6000	50.0	23910	61.9	23230	68.1	22690	74.8	20590				
6500	46.4	20540	59.7	19910	66.5	19420	73.7	19640	77.4	13590		
7000	42.5	17910	57.5	17320	64.8	16870	72.5	17830	76.6	13590		
7500	38.2	15800	55.1	15240	63.2	14760	71.4	15750	75.7	13590		
8000	33.4	14060	52.7	13490	61.4	13020	70.3	14040	74.9	13590	77.7	9190
9000	20.2	11310	47.6	10760	57.9	10340	68.0	11350	73.2	11740	76.4	9190
9433	0	10370										
10000			42.0	8750	54.2	8360	65.7	9340	71.5	9730	75.0	8690
11000			35.6	7200	50.3	6840	63.3	7790	69.7	8180	73.6	8190
12000			27.7	5970	46.2	5630	60.9	6570	67.9	6950	72.2	7140
13375			0	4620								
14000					36.7	3830	55.8	4750	64.3	5140	69.3	5330
16000					23.9	2560	50.4	3460	60.6	3850	66.4	4050
17320					0	1890						
18000							44.6	2500	56.7	2900	63.5	3100
20000							37.9	1760	52.6	2160	60.4	2370
22000							30.0	1170	48.3	1580	57.3	1790
24000									43.7	1100	54.0	1310

Table 8

Rated loads on outriggers pinned in mid-position-360° (Rated load unit:lb)													
BOOM LENGTH (ft)	37.4ft		50.4ft		63.3ft		89.2ft		115.2ft		141.1ft		
LOAD RADIUS (ft)	BOOM ANGLE (°)	360° (lb)	BOOM ANGLE (°)	360° (lb)	BOOM ANGLE (°)	360° (lb)	BOOM ANGLE (°)	360° (lb)	BOOM ANGLE (°)	360° (lb)	BOOM ANGLE (°)	360° (lb)	
10	68.2	111100	74.1	99200	77.5	77160							
12	64.8	96360	71.7	95360	75.6	77160							
15	59.3	79530	68.0	78640	72.7	71830	77.9	45390					
20	49.3	55120	61.5	53530	67.8	52270	74.5	44870					
25	37.1	36480	54.5	35150	62.7	34020	71.2	36380	75.5	29960			
30	17.3	26090	46.8	24820	57.4	23830	67.7	26200	72.9	27130	76.2	20120	
30.95	0	24660											
35			37.8	18270	51.6	17390	64.1	19650	70.3	20570	74.0	18360	
40			25.9	13730	45.3	12940	60.4	15140	67.6	16050	71.9	16490	
43.88			0	11020									
45					38.2	9680	56.6	11840	64.8	12750	69.7	13210	
50					29.4	7180	52.5	9310	62.0	10230	67.5	10700	
55					16.4	5190	48.3	7330	59.1	8250	65.3	8720	
56.82					0	4550							
60							43.7	5720	56.1	6650	63.0	7130	
65							38.6	4390	53.0	5330	60.7	5810	
70							32.8	3270	49.8	4220	58.3	4710	
75							25.9	2320	46.4	3280	55.9	3770	
80									42.7	2470	53.3	2970	
85											50.7	2270	

## Main Boom Rated Loads

Use this chart only when all outriggers are full retracted

Table 9

Rated loads on outriggers are fully retracted-360° (Rated load unit:kg)																		
BOOM LENGTH (MM)	11400			15350			19300			27200			35100			43000		
LOAD RADIUS (MM)	BOOM ANGLE (°)	360° (KG)	BOOM ANGLE (°)	360° (KG)	BOOM ANGLE (°)	360° (KG)	BOOM ANGLE (°)	360° (KG)	BOOM ANGLE (°)	360° (KG)	BOOM ANGLE (°)	360° (KG)	BOOM ANGLE (°)	360° (KG)	BOOM ANGLE (°)	360° (KG)	BOOM ANGLE (°)	360° (KG)
3000	68.5	40960	74.3	39640	77.6	35000												
3500	65.7	30170	72.3	29340	76.1	28650												
4000	62.8	23710	70.3	22990	74.5	22390												
4500	59.8	19330	68.3	18680	73.0	18160												
5000	56.7	16170	66.2	15580	71.4	15080	76.9	15970										
5500	53.4	13780	64.1	13210	69.8	12700	75.9	13620										
6000	50.0	11910	61.9	11300	68.1	10820	74.8	11770										
6500	46.4	10350	59.7	9760	66.5	9310	73.7	10240	77.4	10570								
7000	42.5	9060	57.5	8500	64.8	8070	72.5	8980	76.6	9310								
7500	38.2	7980	55.1	7440	63.2	7020	71.4	7920	75.7	8260								
8000	33.4	7060	52.7	6540	61.4	6140	70.3	7030	74.9	7360	77.7	7490						
9000	20.2	5570	47.6	5080	57.9	4710	68.0	5580	73.2	5920	76.4	6060						
9433	0	5030																
10000			42.0	3960	54.2	3610	65.7	4470	71.5	4810	75.0	4960						
11000			35.6	3070	50.3	2740	63.3	3590	69.7	3940	73.6	4100						
12000			27.7	2350	46.2	2030	60.9	2880	67.9	3220	72.2	3390						
13375			0	1520														
14000							55.8	1790	64.3	2140	69.3	2310						
16000							60.6	1350	66.4	1540								

Table 10

Rated loads on outriggers fully retracted-360° (Rated load unit:lb)																		
BOOM LENGTH (ft)	37.4ft			50.4ft			63.3ft			89.2ft			115.2ft			141.1ft		
LOAD RADIUS (ft)	BOOM ANGLE (°)	360° (lb)	BOOM ANGLE (°)	360° (lb)	BOOM ANGLE (°)	360° (lb)	BOOM ANGLE (°)	360° (lb)	BOOM ANGLE (°)	360° (lb)	BOOM ANGLE (°)	360° (lb)	BOOM ANGLE (°)	360° (lb)	BOOM ANGLE (°)	360° (lb)	BOOM ANGLE (°)	360° (lb)
10	68.2	79200	74.1	78120	77.5	77160												
12	64.8	61220	71.7	59480	75.6	58040												
15	59.3	41390	68.0	39990	72.7	38850	77.9	40870										
20	49.3	25490	61.5	24160	67.8	23120	74.5	25200										
25	37.1	17040	54.5	15860	62.7	14960	71.2	16940	75.5	17670								
30	17.3	11840	46.8	10800	57.4	9990	67.7	11900	72.9	12640	76.2	12950						
30.95	0	11080																
35			37.8	7370	51.6	6630	64.1	8510	70.3	9260	74.0	9600						
40			25.9	4890	45.3	4210	60.4	6070	67.6	6830	71.9	7200						
43.88			0	3340														
45					38.2	2380	56.6	4230	64.8	5010	69.7	5390						
50							52.5	2790	62.0	3580	67.5	3980						
55									59.1	2450	65.3	2850						

## Main Boom Rated Loads

Use this chart during on-TIRE LIFTS

Table 11

Rated loads on tires (Rated load unit:kg)																	
BOOM LENGTH (MM)	11400				15350				19300								
LOAD RADIUS (MM)	BOOM ANGLE (°)	360° (KG)	OVER FRONT (KG)	CREEP (KG)	BOOM ANGLE (°)	360° (KG)	OVER FRONT (KG)	CREEP (KG)	BOOM ANGLE (°)	360° (KG)	OVER FRONT (KG)	CREEP (KG)	BOOM ANGLE (°)	360° (KG)	OVER FRONT (KG)	CREEP (KG)	
3000	68.5	21000	26800	20400	74.3	20460	26350	19900	77.6	19950	25900	19500					
3500	65.7	18050	23800	18010	72.3	17500	23350	17550	76.1	17030	22950	17160					
4000	62.8	15670	21300	16010	70.3	15120	20850	15550	74.5	14700	20470	15180					
4500	59.8	13740	19200	14360	68.3	13210	18740	13920	73.0	12800	18380	13510					
5000	56.7	12160	17410	12950	66.2	11630	16940	12480	71.4	11220	16610	12140					
5500	53.4	10780	15870	11690	64.1	10290	15420	11280	69.8	9840	15040	10880					
6000	50.0	9650	14520	10640	61.9	9100	14060	10180	68.1	8730	13740	9820					
6500	46.4	8630	13350	9700	59.7	8110	12880	9260	66.5	7760	12540	8890					
7000	42.5	7770	12280	8850	57.5	7260	11850	8410	64.8	6880	11520	8090					
7500	38.2	6990	11360	8120	55.1	6510	10920	7660	63.2	6100	10570	7310					
8000	33.4	6320	10490	7450	52.7	5800	10070	7010	61.4	5460	9740	6680					
9000	20.2	5100	9030	6290	47.6	4670	8610	5840	57.9	4300	8310	5540					
9433	0	4690	8500	5850													
10000					42.0	3650	7100	4910	54.2	3300	6730	4580					
11000					35.6	2800	5800	4100	50.3	2470	5450	3800					
12000					27.7	2100	4760	3420	46.2	1790	4430	3080					
14000									36.7	—	2900	2010					
16000									23.9	—	1790	1120					

Table 12

Rated loads on tires (Rated load unit:lb)																
BOOM LENGTH (ft)	37.4ft				50.4ft				63.3ft							
LOAD RADIUS (ft)	BOOM ANGLE (°)	360° (KG)	OVER FRONT (KG)	CREEP (KG)	BOOM ANGLE (°)	360° (KG)	OVER FRONT (KG)	CREEP (KG)	BOOM ANGLE (°)	360° (KG)	OVER FRONT (KG)	CREEP (KG)	BOOM ANGLE (°)	360° (KG)	OVER FRONT (KG)	CREEP (KG)
10	68.2	45560	58300	44330	74.1	44310	57200	43230	77.5	43220	56320	42350				
12	64.8	37940	50530	38150	71.7	36700	49440	37080	75.6	35670	48660	36250				
15	59.3	29670	41640	31140	68.0	28560	40660	30090	72.7	27620	39780	29310				
20	49.3	20710	31440	23040	61.5	19580	30450	22020	67.8	18770	29640	21250				
25	37.1	14950	24530	17490	54.5	13980	23570	16480	62.7	13090	22800	15730				
30	17.3	10940	19490	13410	46.8	10000	18580	12550	57.4	9210	17820	11900				
30.95	0	10340	18720	12870												
35					37.8	6990	13650	9580	51.6	6280	12870	8900				
40					25.9	4770	10090	7170	45.3	4130	9380	6560				
45									38.2	2270	6790	4690				
50									29.4	—	4780	3120				
55									16.4	—	3180	—				